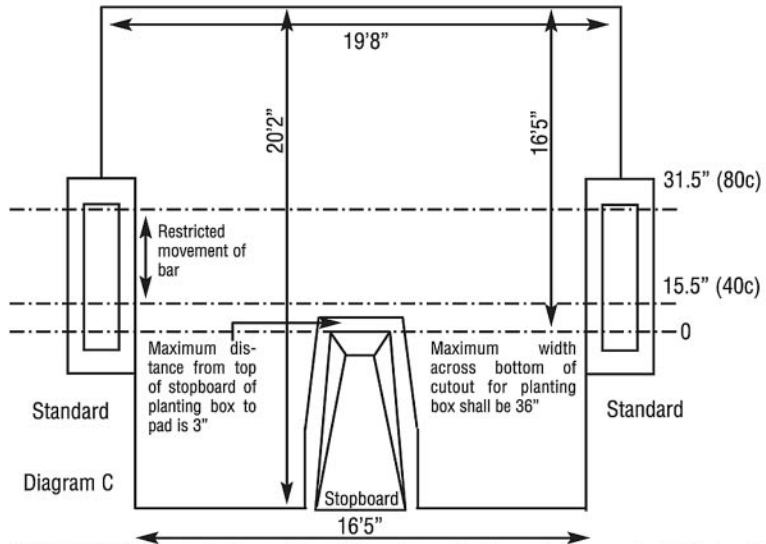


## Pole Vault Landing Area



**LANDING SYSTEM:** The standards or uprights shall be set to position the crossbar from a point 15.5 inches (40c) beyond the vertical plane of the top of the stopboard, up to a maximum distance of 31.5 inches (80c) in the direction of the landing surface.

